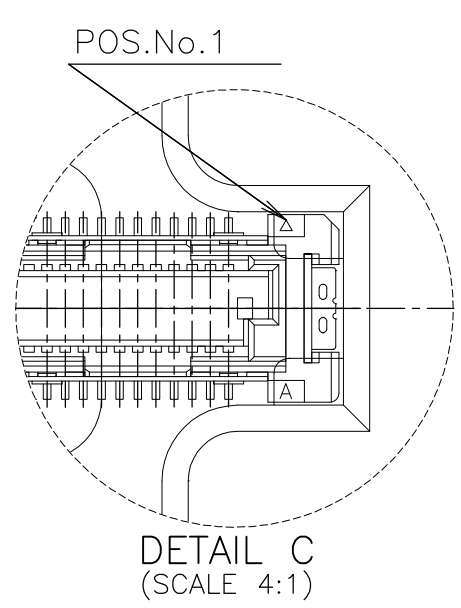
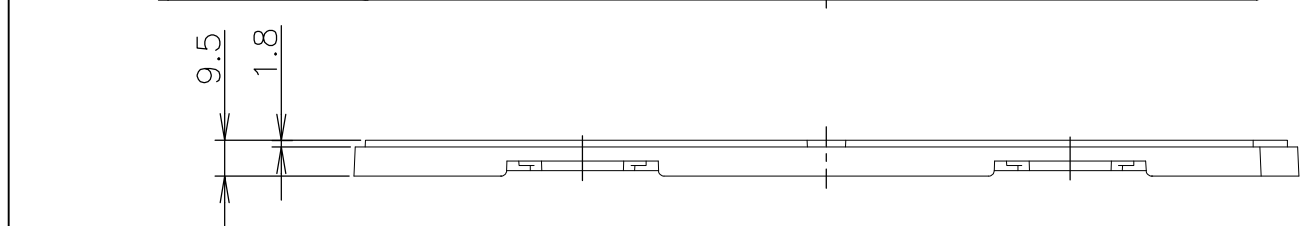
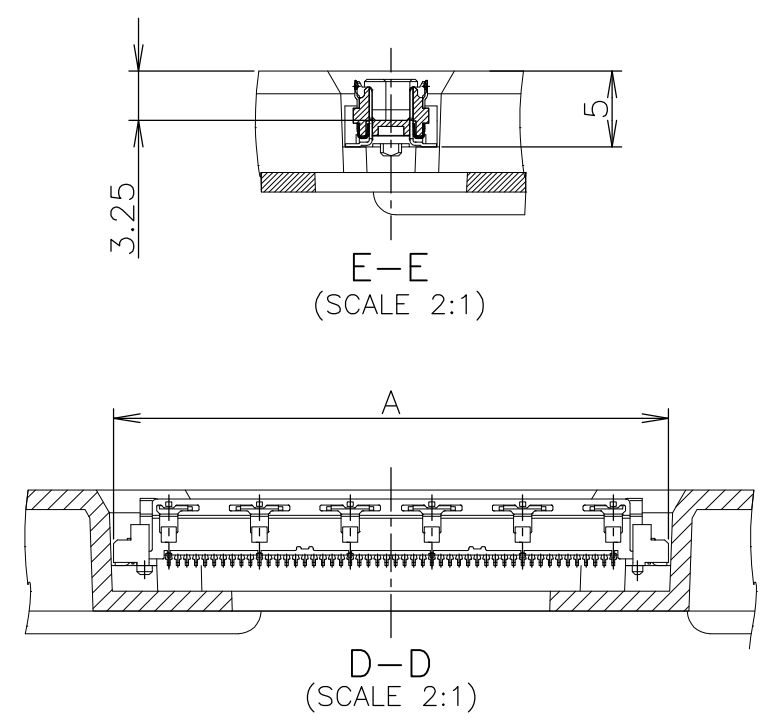
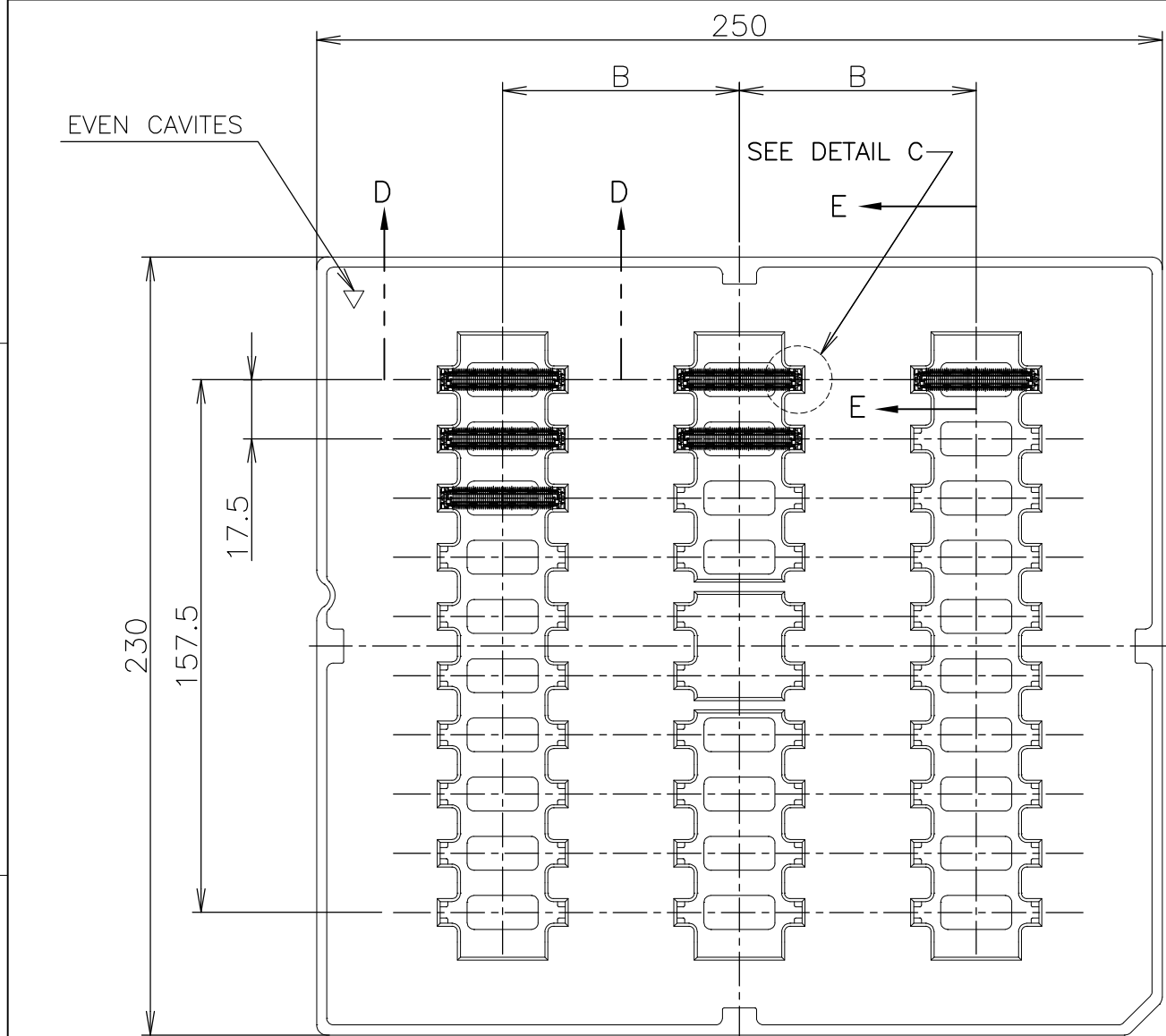


THIS DRAWING IS UNPUBLISHED. RELEASED FOR PUBLICATION AUG, 1996.  
 © COPYRIGHT 1996 BY TYCO ELECTRONICS CORPORATION. ALL RIGHTS RESERVED.

LOC	DIST	REVISIONS			DATE	DWN	APVD
J		P	LTR	DESCRIPTION			
		A	REVISED	ECR-08-000339	01FEB08	T.T	T.F

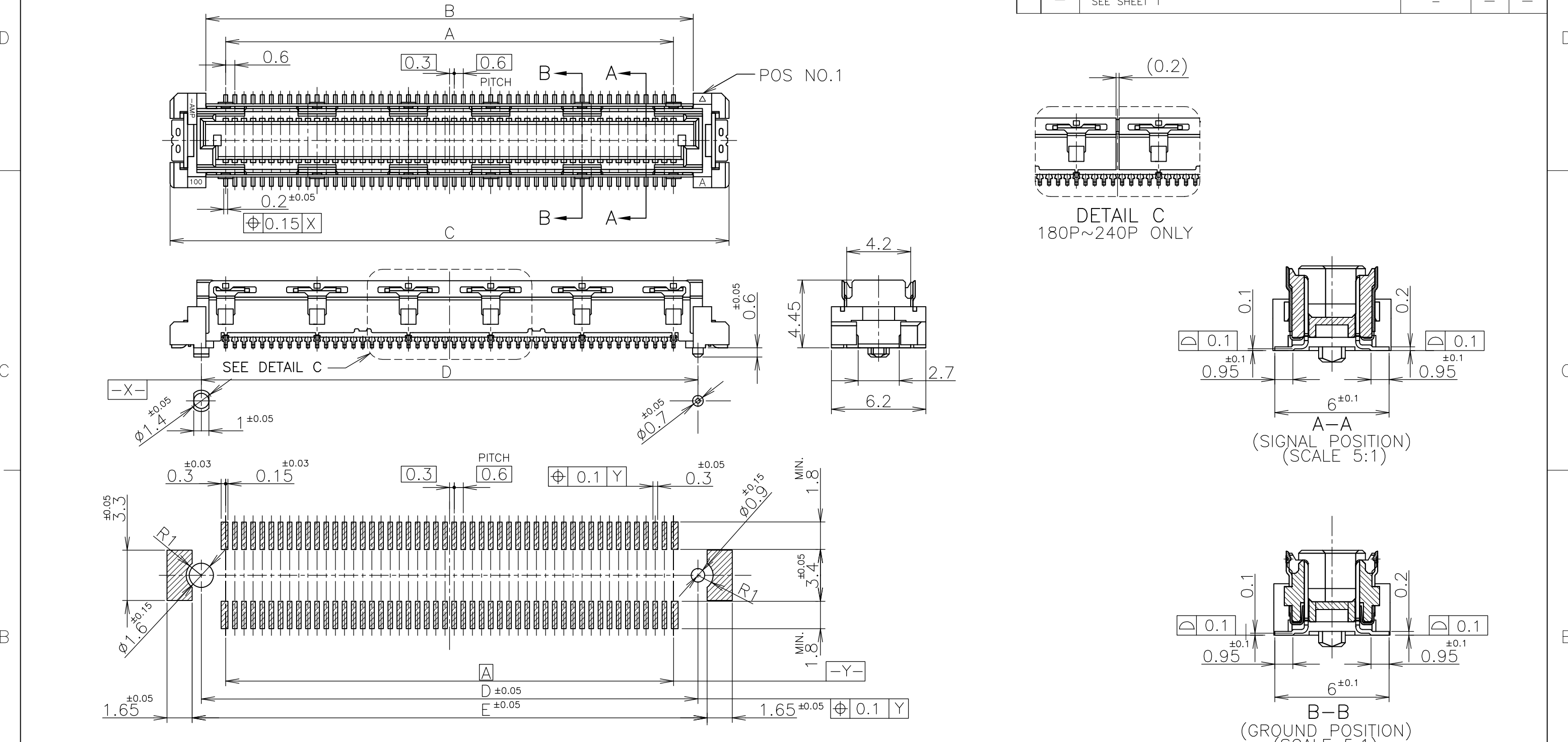


SEALANT	AVAILABLE	3	30	70	54.7	160	9-912067-2	1-5353471-1
	NOT AVAILABLE	↑	↑	↑	48.7	140	9-912066-2	1- -0
	↑				42.7	120	9-912067-1	-9
	↓				36.7	100	9- -0	-8
	3	30	70	33.7	90	8- -9	-7	
	5	50	43	30.7	80	8- -8	-6	
	↑	↑	↑	27.7	70	8- -7	-5	
	↓	↓	↓	24.7	60	8- -6	-4	
	↓	↓	↓	21.7	50	8- -5	-3	
	NOT AVAILABLE	5	50	43	18.7	40	8- -4	-2
SEALANT	TOOLING STATUS	ROW	QTY	B	A	POS.	TRAY P/N	PART NO.
								5353471-1

GENERAL TOLERANCE  
 一般公差  
 10 ≥ : ±0.2  
 30 ≥ >10 : ±0.25  
 100 ≥ >30 : ±0.3  
 ANGLES : ±3°

THIS DRAWING IS A CONTROLLED DOCUMENT.

DIMENSIONS: 単位: 耗 mm	TOLERANCES UNLESS OTHERWISE SPECIFIED: 一般公差	DWN HAWKING HE 14DEC04	Tyco Electronics Corporation Kawasaki, Japan	
	0 PLC ± - 1 PLC ± - 2 PLC ± - 3 PLC ± - 4 PLC ± - ANGLES ± -	CHK STEVEN YAO 14DEC04	NAME I.ENOMOTO	
		APVD I.ENOMOTO 14DEC04	PRODUCT SPEC 製品規格 108-60047	
MATERIAL 材料	FINISH 仕上	APPLICATION SPEC 取付適用規格 114-5255	SIZE A3	CAGE CODE 00779
		WEIGHT	DRAWING NO 番号 G-5353471	RESTRICTED TO
CUSTOMER DRAWING			SCALE 尺度 1:2	SHEET 1 OF 3



REFERENCE P.C.BOARD LAYOUT

AVAILABLE	51.8	50.6	54.7	50	47.4	160
NOT AVAILABLE	45.8	44.6	48.7	44	41.4	140
	39.8	38.6	42.7	38	35.4	120
	33.8	32.6	36.7	32	29.4	100
	30.8	29.6	33.7	29	26.4	90
	27.8	26.6	30.7	26	23.4	80
	24.8	23.6	27.7	23	20.4	70
	21.8	20.6	24.7	20	17.4	60
	19.8	17.6	21.7	17	14.4	50
	15.8	14.6	18.7	14	11.4	40
NOT AVAILABLE	12.8	11.6	15.7	11	8.4	30
TOOLING STATUS	E	D	C	B	A	POS

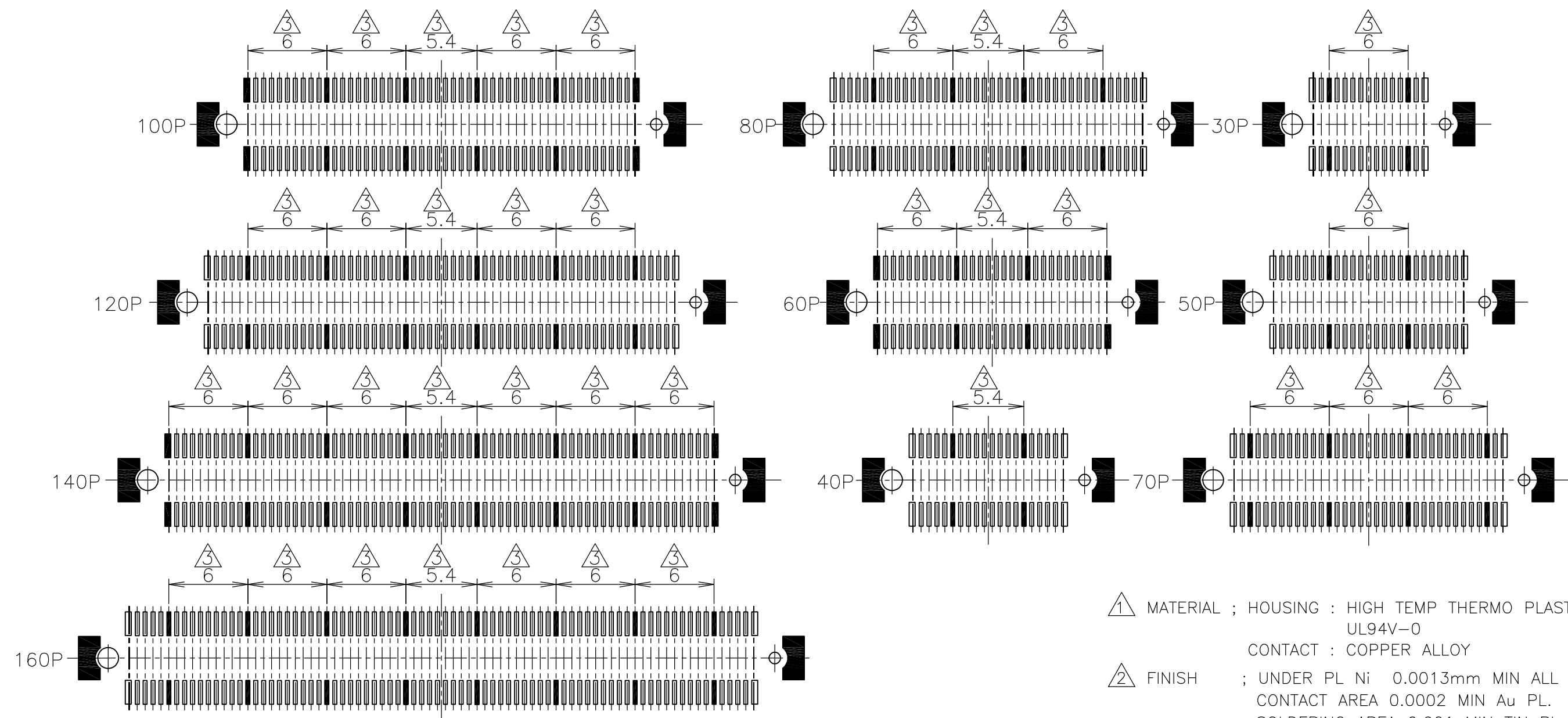
GENERAL TOLERANCE  
 一般公差

10 ≥ ±0.2  
 30 ≥ >10: ±0.25  
 100 ≥ >30: ±0.3  
 ANGLES: ±3°

THIS DRAWING IS A CONTROLLED DOCUMENT.		DWN	Tyco Electronics Corporation Kawasaki, Japan	
DIMENSIONS: 単位: 耗 mm		CHK	NAME 名称	
TOLERANCES UNLESS OTHERWISE SPECIFIED: 一般公差		APVD	HARD TRAY ASSY FH 0.6BTB CONNECTOR PLUG 5H W/G-PLATE	
0 PLC ± - 1 PLC ± - 2 PLC ± - 3 PLC ± - 4 PLC ± - ANGLES ± -		PRODUCT SPEC 製品規格	SIZE	CAGE CODE
MATERIAL 材料		APPLICATION SPEC 取付適用規格	A3	00779
FINISH 仕上		WEIGHT	DRAWING NO 番号	RESTRICTED TO
			G-5353471	
		CUSTOMER DRAWING	SCALE 尺度	SHEET 2 OF 3
			4:1	REV A

THIS DRAWING IS UNPUBLISHED. RELEASED FOR PUBLICATION AUG, 1996.  
 © COPYRIGHT 1996 BY TYCO ELECTRONICS CORPORATION. ALL RIGHTS RESERVED.

LOC	DIST	REVISIONS 変更					
J		P	LTR	DESCRIPTION	DATE	DWN	APVD
			-	SEE SHEET 1	-	-	-



- ① MATERIAL ; HOUSING : HIGH TEMP THERMO PLASTIC UL94V-0  
CONTACT : COPPER ALLOY
- ② FINISH ; UNDER PL Ni 0.0013mm MIN ALL OVER.  
CONTACT AREA 0.0002 MIN Au PL.  
SOLDERING AREA 0.001 MIN TIN PL.
- ③ ■ THIS POSITION IS GROUND CIRCUIT.

GENERAL TOLERANCE  
一般公差

10 ≥ ±0.2  
30 ≥ >10: ±0.25  
100 ≥ >30: ±0.3  
ANGLES: ±3°

THIS DRAWING IS A CONTROLLED DOCUMENT.		DWN		Tyco Electronics Corporation Kawasaki, Japan	
DIMENSIONS: 単位: 耗 mm		TOLERANCES UNLESS OTHERWISE SPECIFIED: 一般公差		NAME 名称	
		0 PLC ±- 1 PLC ±- 2 PLC ±- 3 PLC ±- 4 PLC ±- ANGLES ±-		HARD TRAY ASSY FH 0.6BTB CONNECTOR PLUG 5H W/G-PLATE	
MATERIAL 材料		FINISH 仕上		SIZE	RESTRICTED TO
①		②		A3	
				CAGE CODE	DRAWING NO
				00779	G-5353471
				WEIGHT	
				CUSTOMER DRAWING	
				SCALE 尺度	SHEET
				3:1	3 OF 3
				REV A	